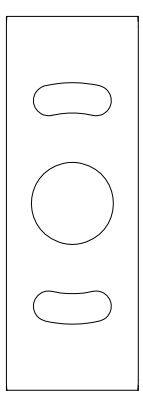
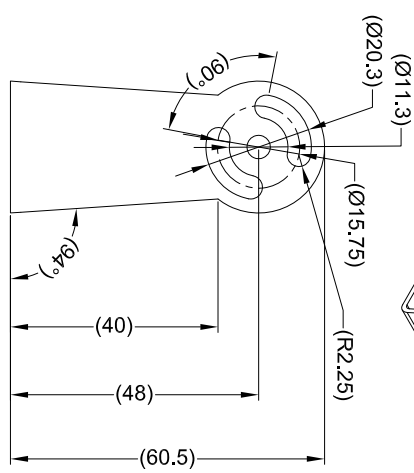
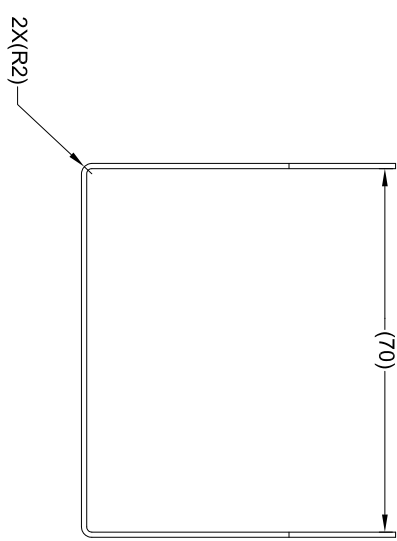
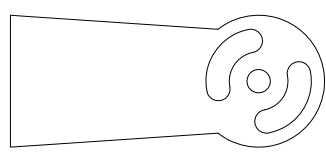
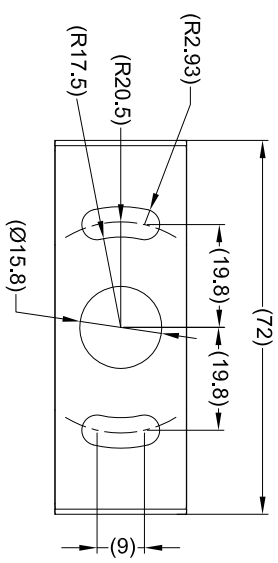
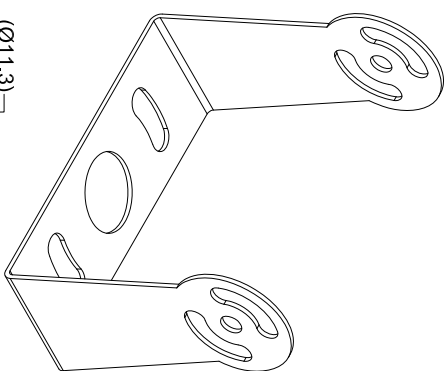


Revision Notes:			
1. FRAME AND DIMENSIONS UPDATED			
Checked By: LB	Approved By: DK	Date Released: 23/03/12	



- NOTES:
1. FINISH: BLACK
  2. MATERIAL: STEEL 1.0T

PROPRIETARY NOTICE  
 THIS DESIGN AND TECHNICAL INFORMATION APPEARING ON THIS DRAWING IS THE PROPERTY OF BRIGADE ELECTRONICS, AND IS DISCLOSED IN CONFIDENCE. IT IS NOT TO BE COPIED, REPRODUCED, REVEALED TO OR EXPLOITED BY OTHERS, EITHER IN WHOLE OR IN PART WITHOUT THE EXPRESS WRITTEN CONSENT OF BRIGADE ELECTRONICS.



Assembly PI Approval XINYU HUANG(21/03/12)		Approved by DKERAI		Checked by BCHILDS		Drawn by MBUTLER	
Angle of Projection Third Angle		Units mm	Scale N/A	Released 17/05/10	Assembly Ref 32030006500		
Status RELEASED		Stock Code 3189A		VBV-7/1XXC-BKT		BE-001059-01-10	